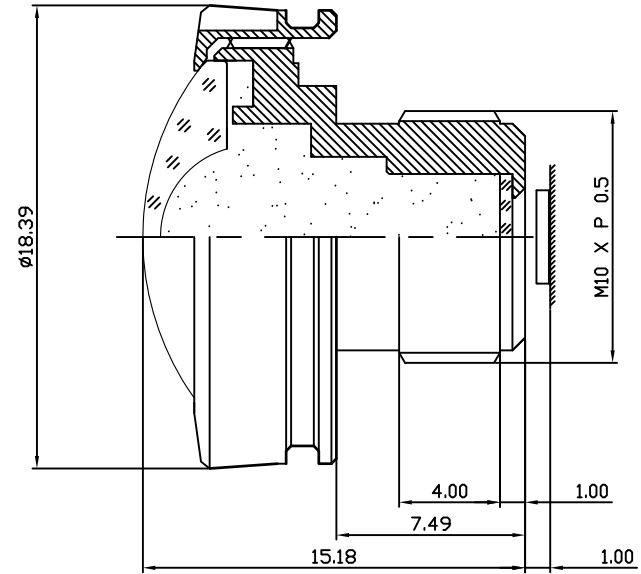


SPECIFICATION

MODEL : 10620MAS

1. Sensing Area : 1/4" CMOS (1280 X 960, Image circle ϕ 3.7)
2. Focal Length : 0.9mm
3. Back Focal Length : 2.2mm
4. F NO. : 2.0
5. Optical Distortion : (1/4") -118.9%(H), -60.3%(V)
6. Iris : Fixed
7. Max. Image Format : 1/4" 3.584(H) x 2.688(V) (ϕ 4.48mm)
8. Angle of View : (1/4") 196.0°(D) X 190.6°(H) X 150.9°(V)
9. Focus Extent : 8cm - ∞
10. Lens Construction : 6 Components 6 Elements & 1 IR CUT FILTER (Including 4 Plastic Aspherical Lens Element)



Tolerance : ± 0.4 mm

DAIWON OPTICAL CO., LTD.