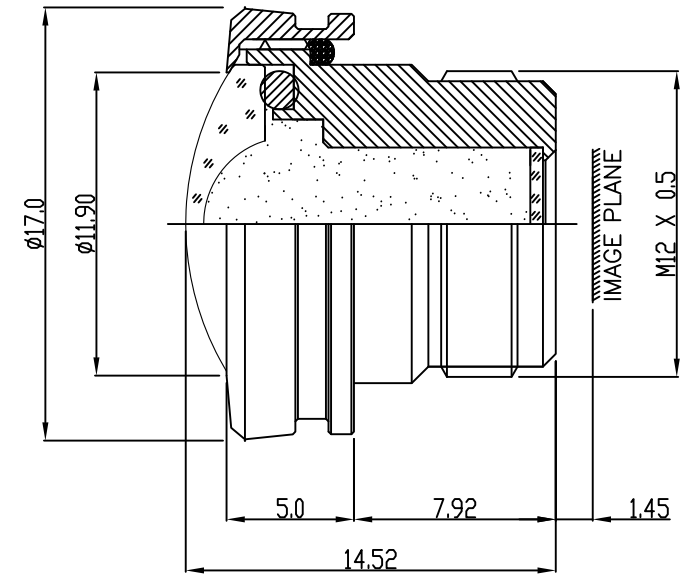


SPECIFICATION

MODEL : 17620-2MAS-CM

1. Sensing Area : 1/2.8" CMOS (1920 X 1080, Image circle ϕ 5.6)
1/3" CMOS (1280 X 960, Image circle ϕ 5.6)
2. Focal Length : 1.7mm
3. Back Focal Length : 3.4mm
4. F NO. : 2.0
5. Iris : Fixed
6. Optical Distortion : (1/2.8" CMOS) -112%
(1/3" CMOS) -74%
7. Angle of View : (1/2.8" CMOS) 190°(H) X 103°(V)
(1/3" CMOS) 160°(H) X 118°(V)
8. Focus Extent : 35cm - ∞
9. Lens Construction : 5 Components 6 Elements & 1 IR CUT FILTER (Including 2 Aspherical Lens Element)
10. Coating : Nano Hydrophobic (Water Resistant)
Contact Angle : Min . 115° / Surface Energy : Max . 15mN/m



DAIWON OPTICAL CO., LTD.