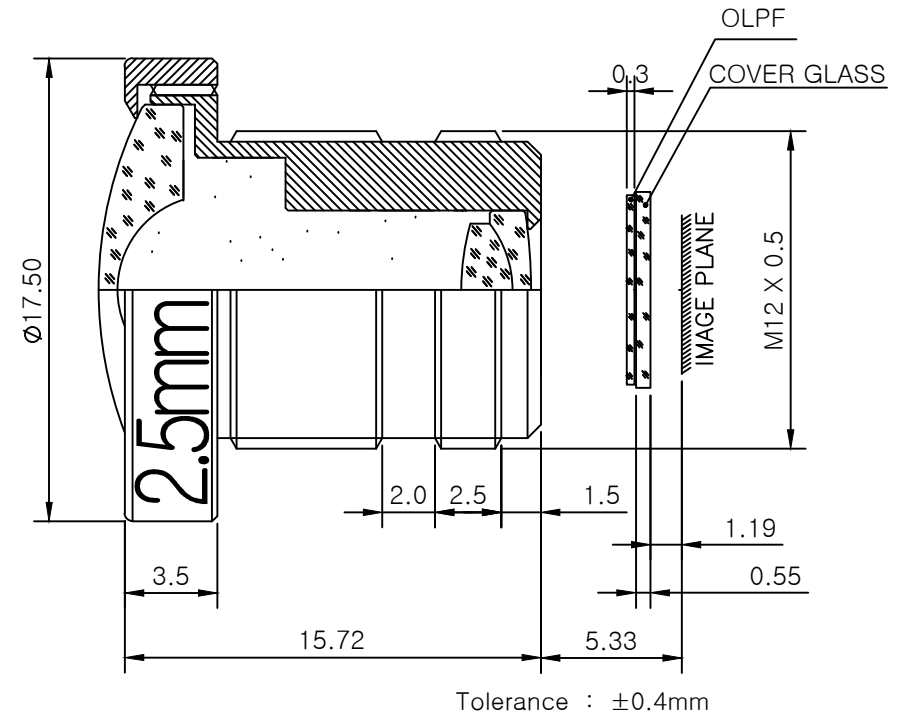


SPECIFICATION

MODEL : 25620-3M

1. Sensing Area : 1/2.7" CMOS, 1/3" CCD, 1/4" CCD
2. Focal Length : 2.5mm \pm 5%
3. Back Focal Length : 5.4mm \pm 5%
4. F NO. : 2.0
5. Iris : Fixed
6. TV Distortion :
(1/2.7" CMOS) -31.6%
(1/3" CCD) -20.9%
(1/4" CCD) -10.4%
7. Angle of View :
(1/2.7" CMOS) 160.2°(D) X 136.5°(H) X 73.2°(V)
(1/3" CCD) 143.1°(D) X 111.1°(H) X 81.7°(V)
(1/4" CCD) 103.6°(D) X 87.7°(H) X 60.7°(V)
8. Focus Extent : 55cm - ∞
9. Lens Construction : 5 Components 6 Elements



DAIWON OPTICAL CO., LTD.