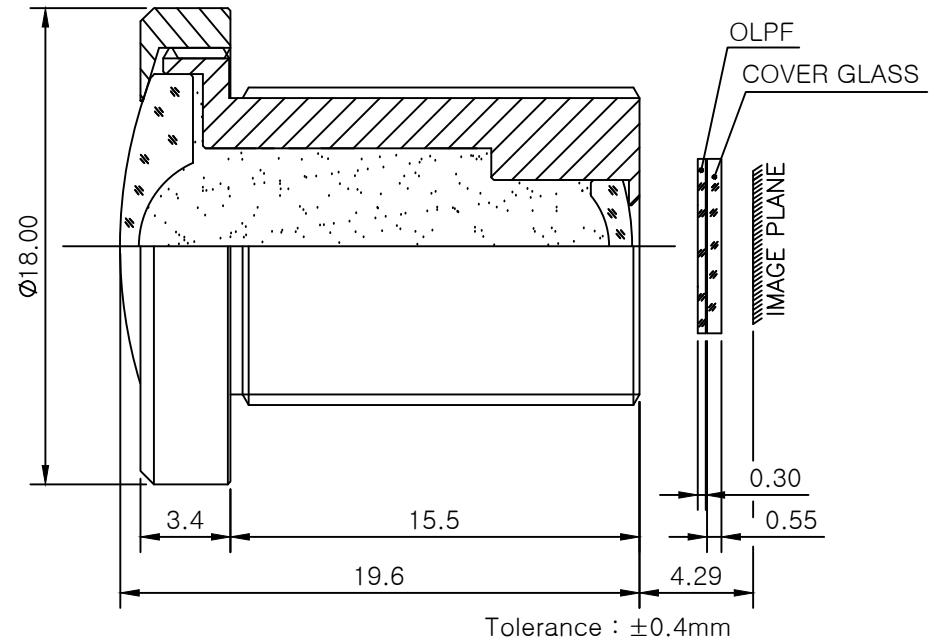


SPECIFICATION

MODEL : 14818-5M (5 Mega Pixel)

1. Sensing Area : $\varnothing 3.202\text{mm}$
2. Focal Length : $1.4\text{mm}\pm 5\%$
3. Back Focal Length : $4.3\text{mm}\pm 5\%$
4. F NO. : 1.8
5. Iris : Fixed
6. Optical Distortion : -98.03
7. Angle of View : 182°
8. Focus Extent : $25\text{cm} - \infty$
9. Lens Construction : 7 Components 8 Elements



DAIWON OPTICAL CO., LTD.