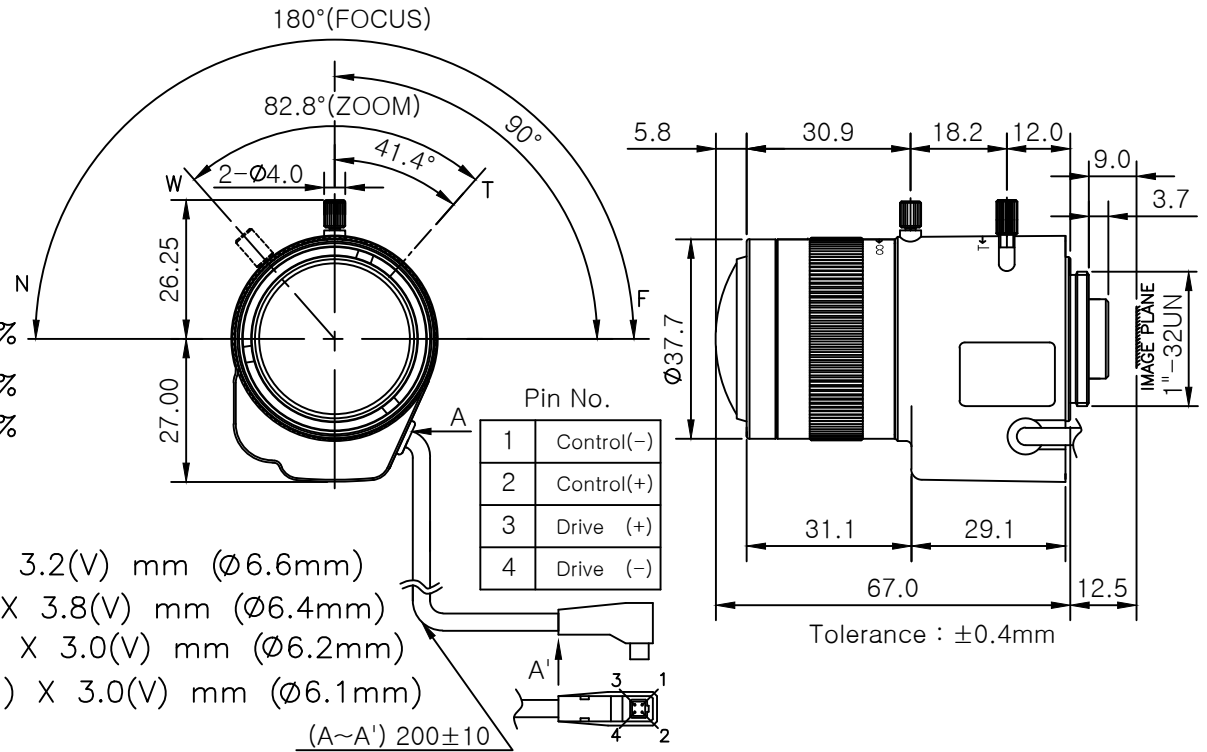


SPECIFICATION

MODEL : VIR28120-3MASD-CS-P

- Focal Length : 2.8 ~ 12.0 mm $\pm 5\%$
- Back Focal Length : 6.01 ~ 18.15 mm
- Optical Distortion : 1/2.7" CMOS $-48.5\% \sim -2.1\%$
 1/2.8" CMOS $-45.4\% \sim -2.0\%$
 1/2.9" CMOS $-42.0\% \sim -1.8\%$
 1/3" CMOS $-41.5\% \sim -1.8\%$
- Aperture Ratio : 1.4 (3.2) ~ 360
- Max. Image Format : 1/2.7" OV2710(2M) 5.8(H) X 3.2(V) mm ($\phi 6.6$ mm)
 1/2.8" IMX036(3.1M) 5.1(H) X 3.8(V) mm ($\phi 6.4$ mm)
 1/2.9" IMX136(2.07M) 5.4(H) X 3.0(V) mm ($\phi 6.2$ mm)
 1/3" MN3041PLJ(2.1M) 5.3(H) X 3.0(V) mm ($\phi 6.1$ mm)
- Operation : Iris / Auto Iris , Focus / Manual
- Angle of View : (1/2.7" CMOS) (D) $131.8^\circ \sim 32.4^\circ$ X (H) $115.3^\circ \sim 28.3^\circ$ X (V) $64.9^\circ \sim 15.9^\circ$
 (1/2.8" CMOS) (D) $127.8^\circ \sim 31.4^\circ$ X (H) $102.6^\circ \sim 25.1^\circ$ X (V) $76.9^\circ \sim 18.9^\circ$
 (1/2.9" CMOS) (D) $123.3^\circ \sim 30.2^\circ$ X (H) $107.7^\circ \sim 26.4^\circ$ X (V) $60.5^\circ \sim 14.9^\circ$
 (1/3" CMOS) (D) $122.6^\circ \sim 30.1^\circ$ X (H) $107.1^\circ \sim 26.2^\circ$ X (V) $60.1^\circ \sim 14.8^\circ$
- Lens Construction : 10 Components 12 Elements & 1 Compensation Glass (1.1T)
 (Including 2 Aspherical Lens Element)
- Weight : 77g



DAIWON OPTICAL CO., LTD.