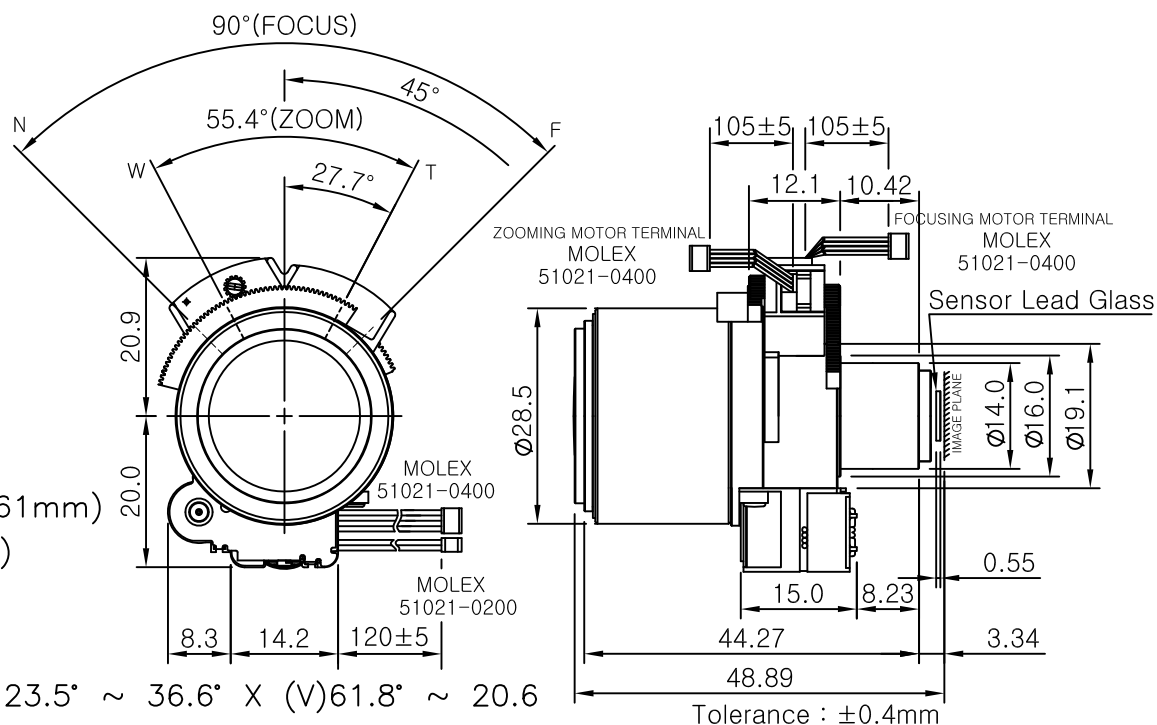


# SPECIFICATION

MODEL : VIR28110G-3MASDNZ-P- $\varnothing$ 14 (3Mega Pixel)

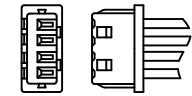
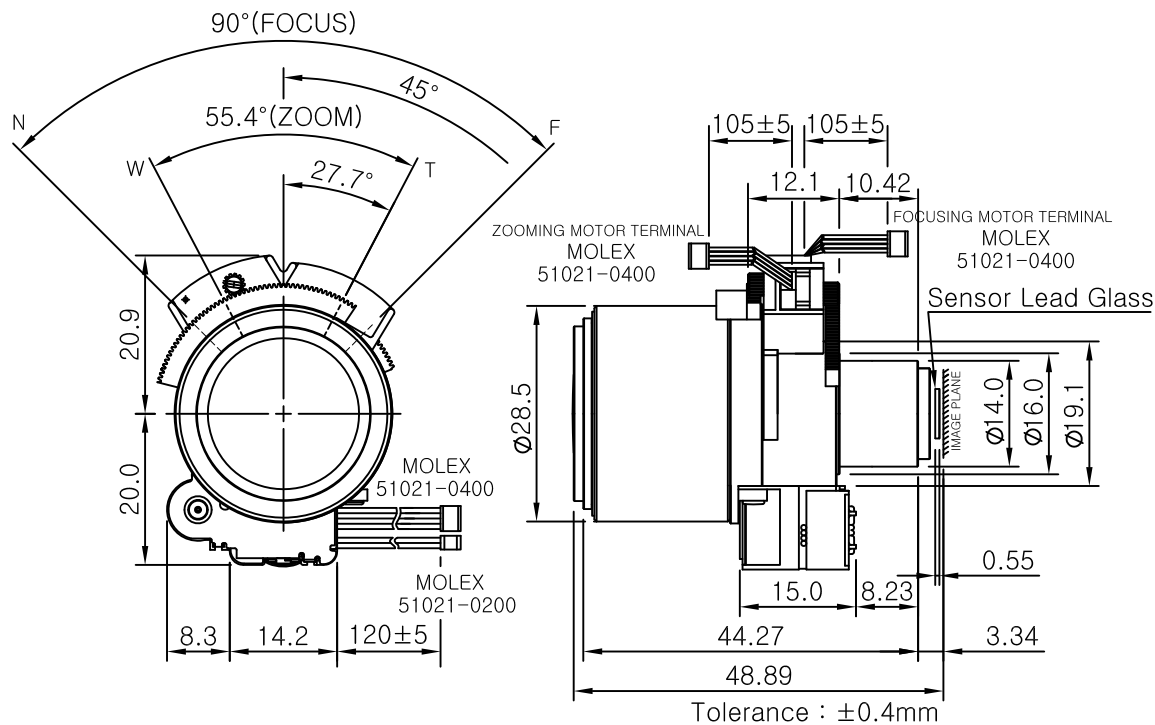
1. Focal Length : 2.8 ~ 11.0 mm  $\pm$ 5%
2. Back Focal Length : 3.42 ~ 10.22 mm
3. Optical Distortion : 1/2.7" -82.84 ~ -4.87%  
1/3" -56.82 ~ -3.99%  
1/4" -26.76 ~ -2.20%
4. Aperture Ratio : 1.4 (2.7) ~ 360
5. Max. Image Format : 1/2.7" CMOS 5.76 X 3.24 mm ( $\varnothing$ 6.61mm)  
1/3" CCD 4.8 X 3.6 mm ( $\varnothing$ 6.13mm)  
1/4" CCD 3.6 X 2.7 mm ( $\varnothing$ 4.5mm)
6. Operation : Iris / Auto Iris , Focus / Manual
7. Angle of View : (1/2.7" CMOS) (D)161.7° ~ 42.1° X (H)123.5° ~ 36.6° X (V)61.8° ~ 20.6°  
(1/3" CCD) (D)131.8° ~ 38.1° X (H)96.6° ~ 30.5° X (V)69.3° ~ 22.9°  
(1/4" CCD) (D)89.3° ~ 28.6° X (H)69.36° ~ 22.9° X (V)50.9° ~ 17.1°
8. Lens Construction : 8 Components 9 Elements & 1 compensation glass (1.08T)  
(Including 1 Aspherical Lens Element)
8. Weight : 38.5g



DAIWON OPTICAL CO., LTD.

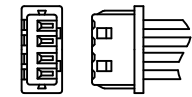
# SPECIFICATION

MODEL : VIR28110G-3MASDNZ-P- $\varnothing$ 14 (3Mega Pixel)



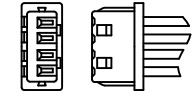
FOCUSING MOTOR (4 PIN)

1	ORANGE	B	COIL (28.5Ω)	2.6V ~ 4.8V /23°C
2	BROWN	A		
3	YELLOW	$\bar{B}$	COIL (28.5Ω)	2.6V ~ 4.8V /23°C
4	RED	$\bar{A}$		



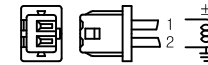
ZOOMING MOTOR (4 PIN)

1	ORANGE	B	COIL (28.5Ω)	2.6V ~ 4.8V /23°C
2	BROWN	A		
3	YELLOW	$\bar{B}$	COIL (28.5Ω)	2.6V ~ 4.8V /23°C
4	RED	$\bar{A}$		



IRIS MOTOR (4 PIN)

1	WHITE	+	CONTROL	3.5V ~ 5V /20°C
2	BLACK	-	COIL (465Ω)	
3	RED	+	DRIVE	3.5V ~ 5V /20°C
4	GREEN	-	COIL (190Ω)	



IR CUT FILTER MOTOR (2 PIN)

1	YELLOW	±	DRIVE	IR Cut Filter IN→OUT 3.5V~5V
2	BROWN	≠	COIL (190Ω)	OUT→IN -5V~-3.5V

FOCUSING AND ZOOMING MOTOR EXCITING PATTEN OF CLOCKWISE ROTATION

STEP	A	$\bar{A}$	B	$\bar{B}$
0	H	L	H	L
1	L	H	H	L
2	L	H	L	H
3	H	L	L	H
WIRE	BROWN	RED	ORANGE	YELLOW

DAIWON OPTICAL CO., LTD.