

# SPECIFICATION

MODEL : VIR28110G-3MASDN-P-Ø14 (3Mega Pixel)

1. Focal Length : 2.8 ~ 11.0 mm ±5%

2. Back Focal Length : 3.42 ~ 10.22 mm

3. Optical Distortion : 1/2.7" -82.84 ~ -4.87%  
 1/3" -56.82 ~ -3.99%  
 1/4" -26.76 ~ -2.20%

4. Aperture Ratio : 1.4 (2.7) ~ 360

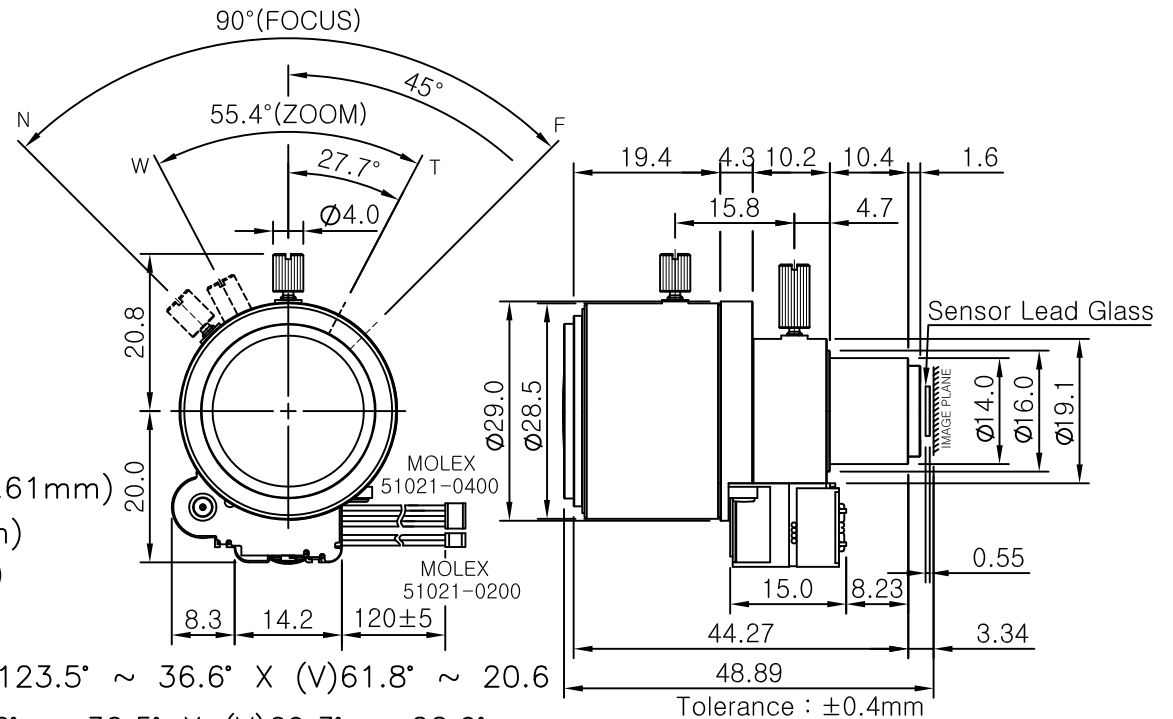
5. Max. Image Format : 1/2.7" CMOS 5.76 X 3.24 mm (Ø6.61mm)  
 1/3" CCD 4.8 X 3.6 mm (Ø6.13mm)  
 1/4" CCD 3.6 X 2.7 mm (Ø4.5mm)

6. Operation : Iris / Auto Iris , Focus / Manual

7. Angle of View : (1/2.7" CMOS) (D)161.7° ~ 42.1° X (H)123.5° ~ 36.6° X (V)61.8° ~ 20.6°  
 (1/3" CCD) (D)131.8° ~ 38.1° X (H)96.6° ~ 30.5° X (V)69.3° ~ 22.9°  
 (1/4" CCD) (D)89.3° ~ 28.6° X (H)69.36° ~ 22.9° X (V)50.9° ~ 17.1°

8. Lens Construction : 8 Components 9 Elements & 1 compensation glass (1.08T)  
 (Including 1 Aspherical Lens Element)

8. Weight : 38.5g



IRIS MOTOR PIN NUMBER

1	WHITE	+	CONTROL	3.5V~5V
2	BLACK	-	COIL (465Ω)	/20°C
3	RED	+	DRIVE	3.5V~5V
4	GREEN	-	COIL (190Ω)	/20°C

IR CUT MOTOR PIN NUMBER

1	YELLOW	±	DRIVE	IR Cut Filter IN→OUT 3.5V~5V
2	BROWN	≠	COIL (190Ω)	OUT→IN -5V~-3.5V

DAIWON OPTICAL CO., LTD.