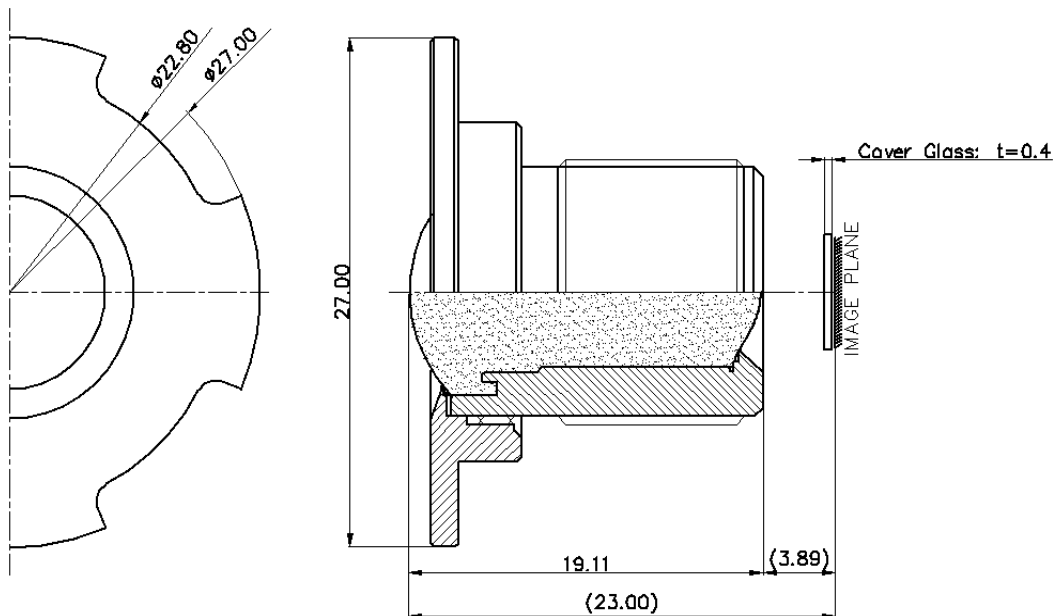




22724-3MAS

Application	Finger print	
Focal Length	2.2mm	
Flange Back Length	3.89mm	
Back Focal Length	4.0mm	
Total Track Length	23.0mm	
F No.	2.0	
Iris	Fixed	
Image Circle Diameter	Φ 5.79	
Sensing Area	1/2.5"	
Optical Distortion	-5.1%	
TV Distortion	-2.2%	
Angle of View	Diagonal	108.8°
	Horizontal	88.8°
	Vertical	85.0°
Chief Ray Angle(1.0F)	5.0°	
Relative Illumination(1.0F)	58.0%	
M.O.D	37 cm	
Resolution	On-Axis	78.4% @100lp/mm
	0.7 Field	(S)67.1% / (T)59.3% @100lp/mm
Wavelength	Visible & IR	
Filter	-	
Waterproof	-	



Tolerance : ±0.4mm