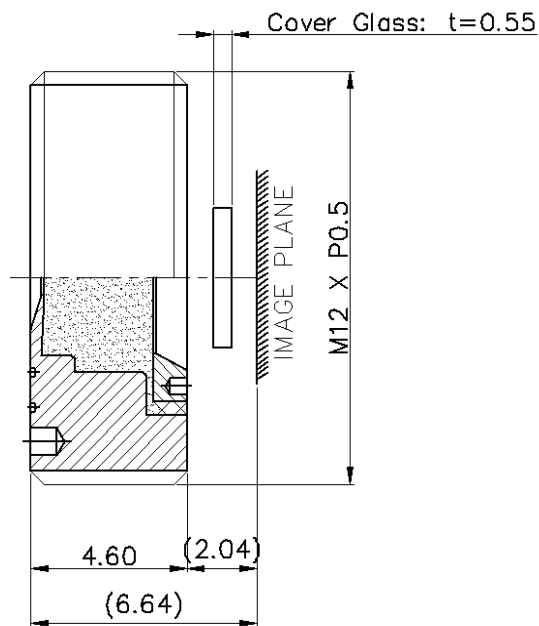




DW9702CM

Application	CCTV	
Focal Length	3.4mm	
Back Focal Length	3.8mm	
Flange Back Length	2.04mm	
Total Track Length	6.64mm	
F No.	3.5	
Iris	Fixed	
Max Image Circle Diameter	Φ 6.0	
Sensing Area	1/3"(4:3)	1/4"(4:3)
Optical Distortion	-35.3%	-17.7%
TV Distortion	-12.1%	-5.9%
Angle of View	Diagonal	109.0°
	Horizontal	85.0°
	Vertical	63.0°
Chief Ray Angle(1.0F)	28.4°	21.9°
Relative Illumination(1.0F)	65.5%	91.2%
M.O.D	80cm - ∞	
Resolution	On-Axis	72.7% @33lp/mm
	0.7 Field	(S)3.3% / (T)7.1% @33lp/mm
Wavelength	Visible	
Filter	IR Cut Filter : 650nm Cut(T:50%)	
Waterproof	-	



Tolerance : ± 0.4 mm