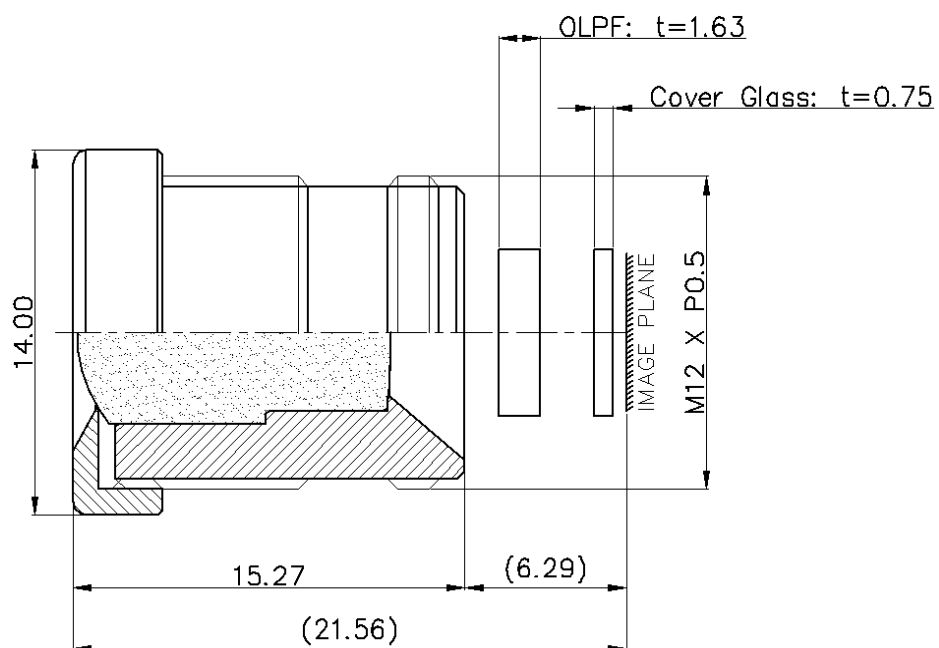




# VIR64425

Application	CCTV	
Focal Length	6.4mm	
Flange Back Length	6.27mm	
Back Focal Length	9.14mm	
Total Track Length	21.54mm	
F No.	2.6	
Iris	Fixed	
Image Circle Diameter	Φ 6.0	
Sensing Area	1/3"(4:3)	1/4"(4:3)
Optical Distortion	-8.0%	-4.5%
TV Distortion	-2.6%	-1.5%
Angle of View	Diagonal	53.5°
	Horizontal	42.8°
	Vertical	32.0°
Chief Ray Angle(1.0F)	13.3°	10.0°
Relative Illumination(1.0F)	79.5%	87.1%
M.O.D	380cm - ∞	
Resolution	On-Axis	30.7% @89lp/mm
	0.7 Field	(S)62.8% (T)49.6% @67lp/mm
Wavelength	Visible & IR	
IR Cut Filter	-	
Waterproof	-	



Tolerance: ±0.4