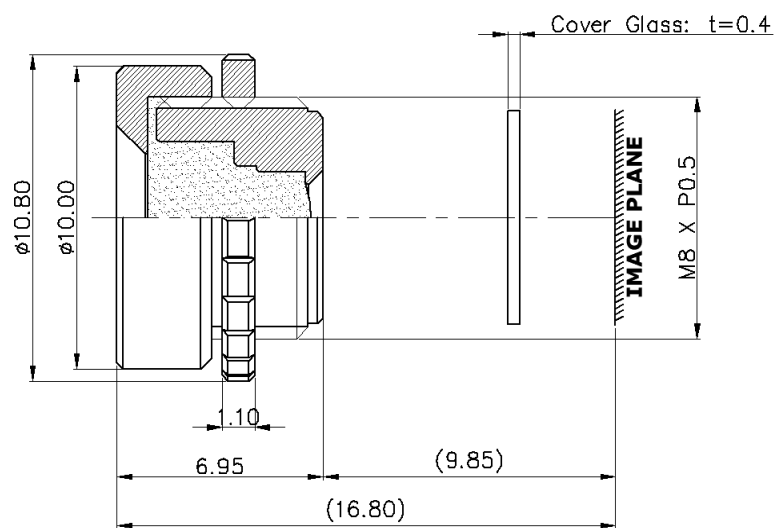




120470-5M

Application	Machine Vision	
Focal Length	12.0mm	
Flange Back Length	9.85mm	
Back Focal Length	10.26mm	
Total Track Length	16.80mm	
F No.	7.0	
Iris	Fixed	
Image Circle Diameter	Φ 7.12	
Sensing Area	MT9P031 1/2.5" 2592(H) x 1944(V) 2.2 μm(4:3)	
Optical Distortion	3.1%	
TV Distortion	1.0%	
Angle of View	Diagonal	31.5°
	Horizontal	25.7°
	Vertical	19.7°
Chief Ray Angle(1.0F)	19.9°	
Relative Illumination(1.0F)	75.3%	
M.O.D	45cm - 57cm	
Resolution	On-Axis	38.1% @120lp/mm
	0.7 Field	62.3% @60lp/mm
Wavelength	Visible	
Filter	IR Cut Filter : 450nm Pass (T>80%) 750~1000nm Cut (T<5%)	
Waterproof	-	



Tolerance: ± 0.4