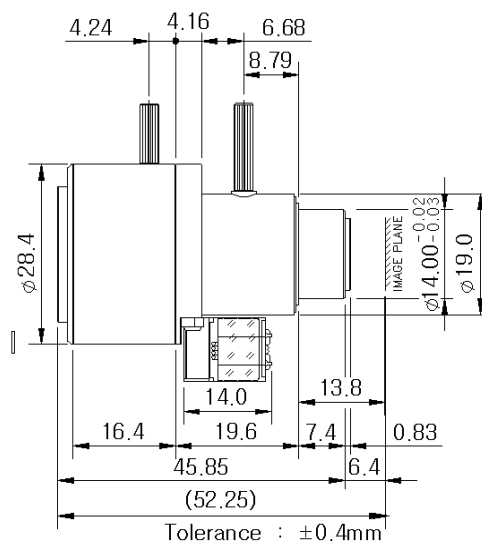
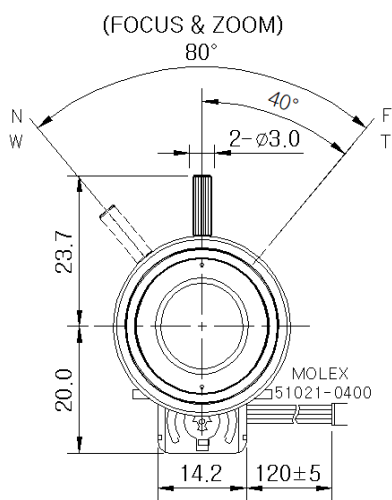




VIR36160MASDS-P-Φ14-SUR

Application		CCTV	
Focal Length		3.6 ~ 16.0mm	
Back Focal Length		6.15 ~ 16.11mm	
Total Track Length		12.0mm	
F No.		1.2 ~ 360	
Iris		Auto Iris	
Image Circle Diameter		Φ 6.1	
Sensing Area		1/3"(4:3)	1/4"(4:3)
Optical Distortion		-33.4% ~ -1.8%	-16.9% ~ -1.0%
TV Distortion		-11.4% ~ -0.6%	-5.6% ~ -0.3%
Angle of View	Diagonal	96.6° ~ 56.6°	67.8° ~ 19.1°
	Horizontal	73.4° ~ 20.4°	53.0° ~ 15.3°
	Vertical	53.3° ~ 15.3°	39.1° ~ 11.4°
Chief Ray Angle(1.0F)		7.3°	7.4°
Relative Illumination(1.0F)		43.0%	50.0%
M.O.D		255cm - ∞	
Resolution	On-Axis	63.3% @89lp/mm	
	0.7 Field	69.6% @67lp/mm	
Wavelength		Visible & IR	
Filter		-	
Waterproof		-	



IRIS MOTOR PIN NUMBER

1	BLACK	-	DRIVE	3.5V-5V
2	WHITE	+	COIL (190Ω)	/20°C
3	RED	+	CONTROL	3.5V-5V
4	GREEN	-	COIL (850Ω)	/20°C

